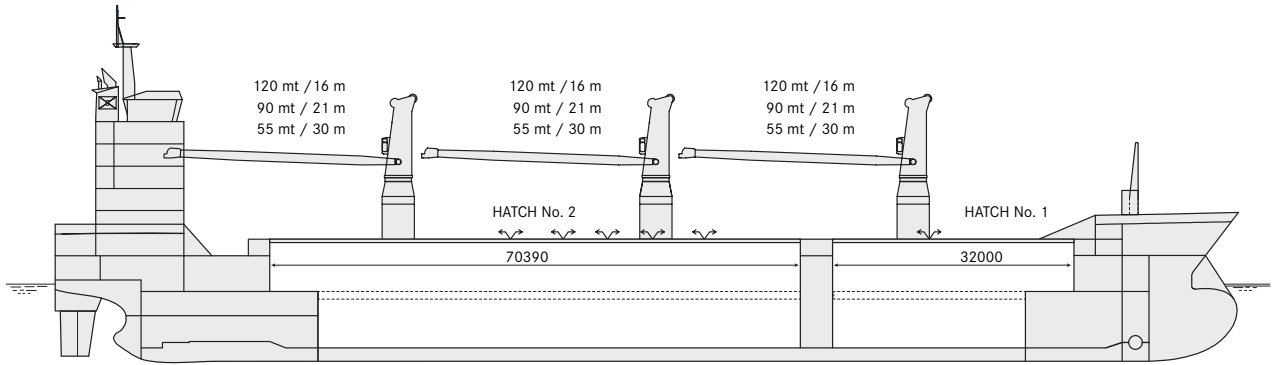


D-TYPE

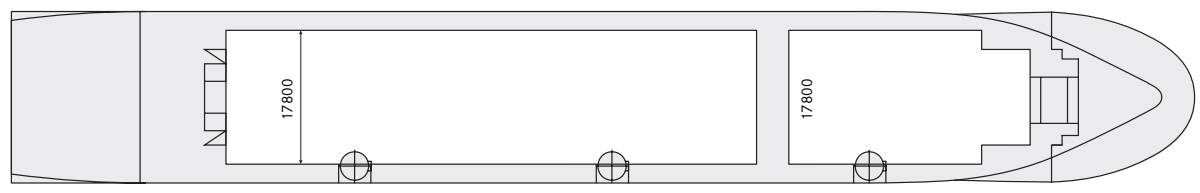
CLASS		
Classification	Lloyd's Register ✱100 A1	
Ice-Class	Finnish/ Swedish 1A	
Open sailing notation	Yes	
Fitted for carriage of dangerous goods of all IMO classes		
Fitted for trading Australia		
PRINCIPAL DIMENSIONS		
Length over all	156,93 m	
Breadth moulded	22,80 m	
Height hold as SID	13,25 m	
Height lower hold as TWD	3,25 or 6,46 or 9,60 m *	* except where side tanks in hold 1 where highest position is not available. Aft hold 2 lowest
Height tween deck as TWD	9,00 or 5,79 or 2,65 m *	
Summer draft	10,25 m	
GT	Abt. 13.558	
NT	Abt. 5.981	
DEADWEIGHT all told	Abt. 18.143 mt	excl. TWD
	Abt. 17.556 mt	incl. TWD
CAPACITY		
Grain - bale	760.500 cbft	/21.535 m ³
FLOOR SPACE		
Tank top	1.423 m ²	
Tween deck	1.790 m ²	
Weather deck	1.760 m ²	
AIR CHANGES (basis empty holds)		
Hold 1	Abt. 20 x p/h	
Hold 2	Abt. 15 x p/h	
Dehumidifier	Yes	
CONTAINER INTAKE		
Total	1.062 TEU	Intake always subject stability
HATCHES		
Weather deck	No.1: 32,00 x 12,70 m No.2: 70,40 x 17,80 m Steel, end folding/rolling/lift away type	/17,80 m
Tween deck	No.1: 25,60 x 17,80 m No.2: 64,00 x 17,80 m 15 steel pontoons	/15,25/12,70/9,40 m
Bulkheads/compartments: Removable pontoons for up to 13 compartments at TEU interval		
MAXIMUM LOAD		
Weather deck hatch covers	2,60 t/m ²	payload
Tweendeck hatch covers	Hatchway 1: 7,50 t/m ² 5,50 t/m ² Hatchway 2: 5,50 t/m ²	fore part aft part
Tank top	20,00 t/m ²	
DECK CRANES		
Position	3 x situated on starboard side	
Tons /reach	120 mt SWL/16 m	
	90 mt SWL/21 m	
	55 mt SWL/30 m	



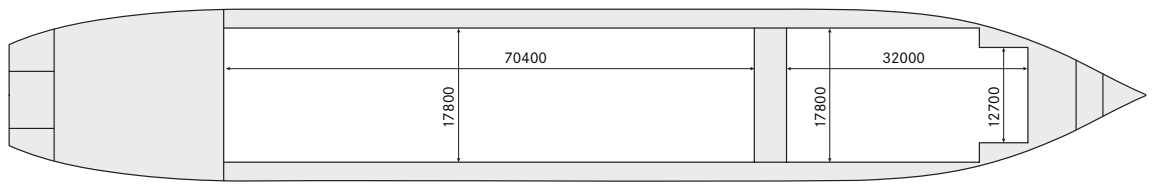
- 2008** DIJKSGRACHT
- 2009** DAMGRACHT
DANZIGERGRACHT
DELAGRACHT
DIAMANTGRACHT
DOLFIJNGRACHT
DONAUGRACHT
- 2010** DYNAMOGRACHT



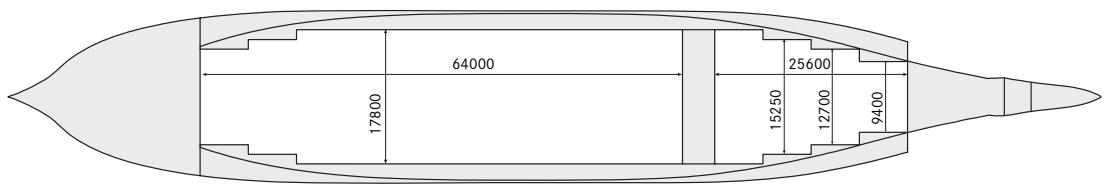
WEATHER DECK



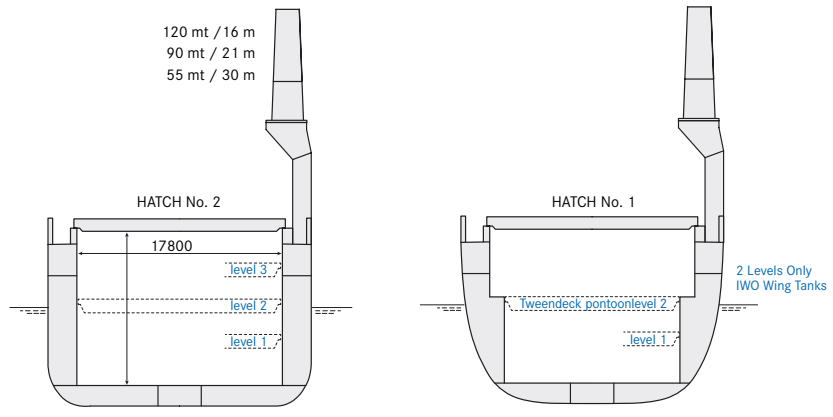
TWEEN DECK



TANK TOP



CROSS SECTION



D-TYPE

These particulars are believed to be correct, but without guarantee, and they must not be used as basis for Charter Parties or contracts without explicit written authority. For more information please contact amsterdam@spliothoff.com