

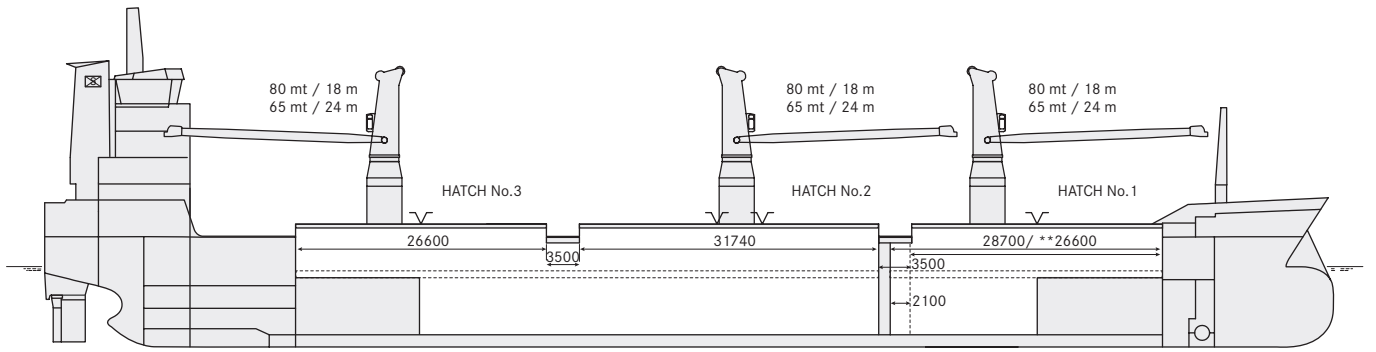
F-TYPE

| CLASS | | |
|--|--|---------------------------------|
| Classification | Lloyd's Register / Bureau Veritas ✱ 100 A1 | |
| Ice-Class | Ice class 1A (Finnish) | |
| Open sailing notation | No | |
| Fitted for carriage of dangerous goods of all IMO classes | | |
| Fitted for trading Australia and Great Lakes | | |
| PRINCIPAL DIMENSIONS | | |
| Length over all | 137.07 m | |
| Breadth moulded | 18.90 m | |
| Height hold as SID | 11.75 m | |
| Height lower hold as TWD | variable heights | |
| Height tween deck as TWD | variable heights | |
| Summer draft | 8.55 m | |
| GT | Abt. 8,620 | |
| NT | Abt. 4,398 | |
| DEADWEIGHT all told | Abt. 12,200 mt | excl. TWD |
| | Abt. 11,828 mt | incl. TWD |
| CAPACITY | | |
| Grain - bale | 556,980 cbft | /15,772 m ³ |
| FLOOR SPACE | | |
| Tank top | 1,270 m ² | |
| Tween deck | 1,419 m ² | |
| Weather deck | 1,589 m ² | |
| AIR CHANGES (basis empty holds) | | |
| Hold 1 | Abt. 30 x p/h | |
| Dehumidifier | Yes | |
| CONTAINER INTAKE | | |
| Total | 658 TEU | Intake always subject stability |
| HATCHES | | |
| Weather deck | No.1: 26.60 x 15.80 m | |
| | No.2: 31.74 x 15.80 m | |
| | No.3: 26.60 x 15.80 m | |
| | Steel, end folding type | |
| Tween deck | No.1: 28.00 x 15.80 m | |
| | No. 2: 61.84 x 15.80 m | |
| | 17 steel pontoons | |
| Bulkheads/compartments: Removable pontoons for up to 11 compartments at TEU interval | | |
| MAXIMUM LOAD | | |
| Weather deck hatch covers | 2.00 t/m ² | |
| Tweendeck hatch covers | 4.50 t/m ² | |
| Tank top | 20.00 t/m ² | |
| DECK CRANES | | |
| Position | 3 x situated on starboard side | |
| Tons /reach | 80 mt SWL/18 m | |
| | 65 mt SWL/24 m | |

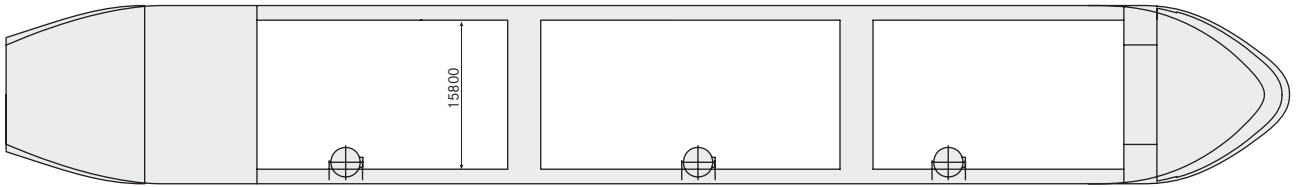


- 2010** FLORIJNGRACHT
- 2011** FAGELGRACHT
FLEVOGRACHT
FLORAGRACHT
- 2012** FORTUNAGRACHT*
FLORETGRACHT*

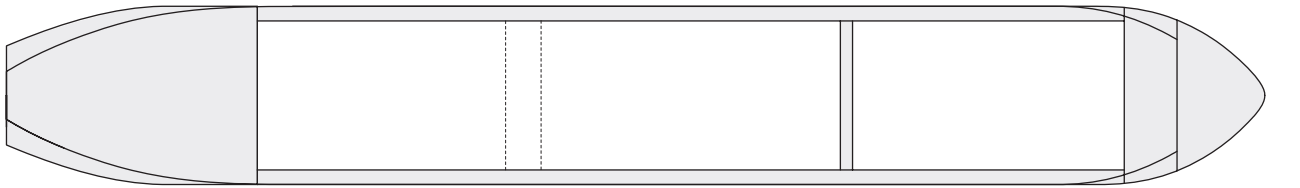
* different hold 1 configuration



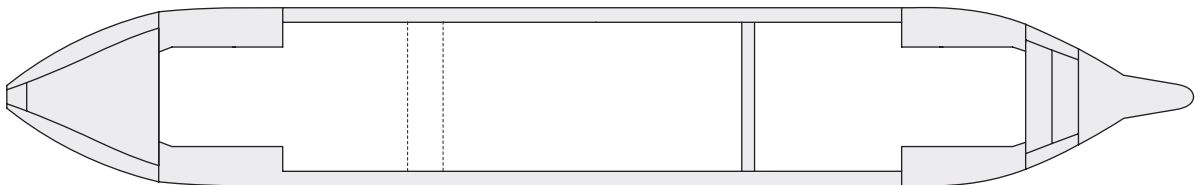
WEATHER DECK



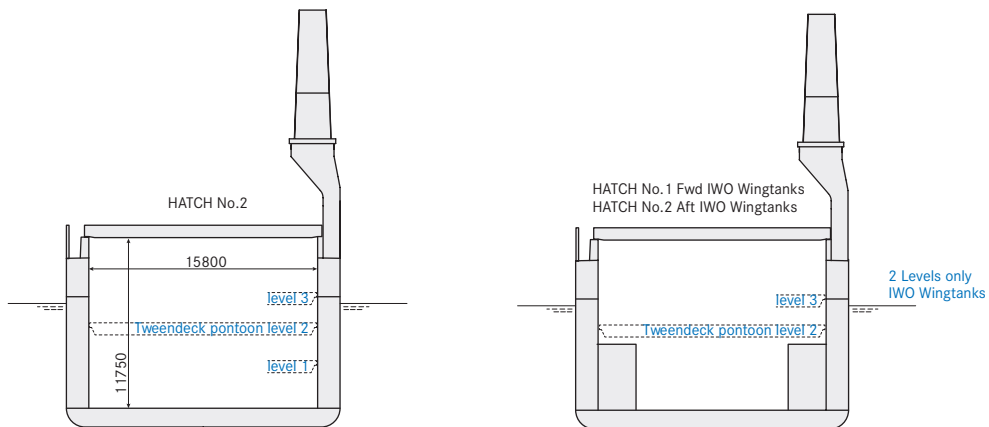
TWEEN DECK



TANK TOP



CROSS SECTION



These particulars are believed to be correct, but without guarantee, and they must not be used as basis for Charter Parties or contracts without explicit written authority. For more information please contact amsterdam@spliethoff.com

F-TYPE