

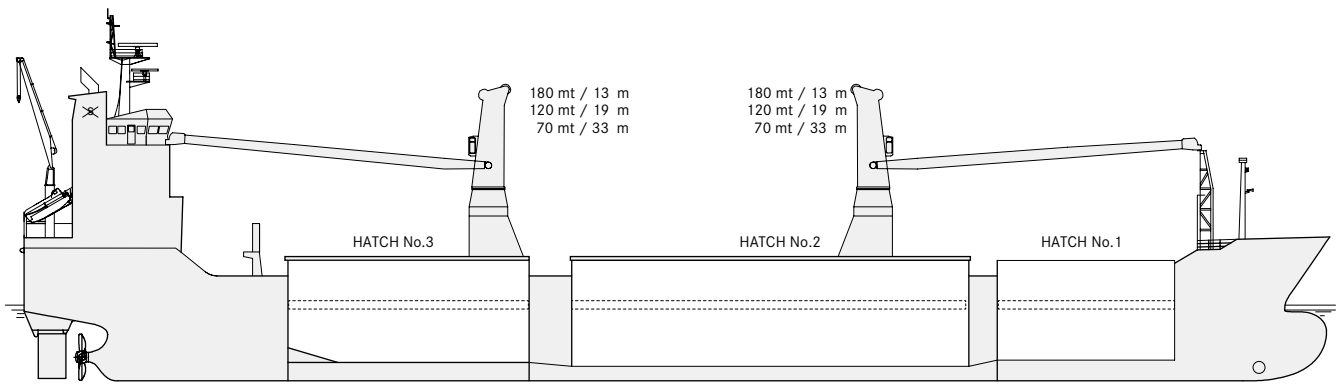
# H-TYPE

CLASS		
Classification	Bureau Veritas ✪100 A1**	DNV GL ✪100 A5***
Ice-Class	Ice class 1A (Finnish)**	GL Ice Class E3***
Open sailing notation	No	
Fitted for carriage of dangerous goods of all IMO classes		
Fitted for trading Australia and Great Lakes		
PRINCIPAL DIMENSIONS		
Length over all	138.5 m	
Breadth moulded	21.00 m	
Height hold as SID	Hold 1:	10.53 m
	Hold 2:	11.18 m
	Hold 3:	10.77 m
Height lower hold as TWD	Hold 1:	5.43 m
	Hold 2:	6.02 m
	Hold 3:	5.61 m
Height tween deck as TWD	Hold 1:	4.48 m
	Hold 2:	4.38 m
	Hold 3:	4.38 m
Summer draft	8.00 m	
GT	Abt. 9,610	
NT	Abt. 4,260	
DEADWEIGHT all told	Abt. 12,750 mt	excl. TWD
CAPACITY		
Grain - bale	563,340 cbft	/15,952 m <sup>3</sup>
FLOOR SPACE		
Tank top	1,425 m <sup>2</sup>	
Tween deck	1,432 m <sup>2</sup>	
Weather deck	1,531 m <sup>2</sup>	/1,656 m <sup>2</sup>
AIR CHANGES (basis empty holds)		
Hold 1	Abt. 6 x p/h	
Hold 2 + 3	Abt. 12 x p/h	
CONTAINER INTAKE		
Total	665 TEU	Intake always subject stability
HATCHES		
Weather deck	Hold 1:	18.75 x 15.00 m
	Hold 2:	42.00 x 17.50 m
	Hold 3:	25.50 x 17.50 m
Tween deck	Hold 1:	18.75 x 15.01 m
	Hold 2:	42.00 x 17.50 m
	Hold 3:	25.50 x 17.50 m
		Consisting: 14 steel pontoons
MAXIMUM LOAD		
Weather deck hatch covers	1.75 t/m <sup>2</sup>	payload
Tweendeck hatch covers	4,00 / 2.50 t/m <sup>2</sup>	
Tank top	16.00 t/m <sup>2</sup>	
DECK CRANES		
Position	2 x situated on port side	
Tons /reach	180 mt SWL / 13 m combinable up to 360 mt	150 mt SWL / 16 m combinable up to 300 mt*
	150 mt SWL/ 16 m	
	120 mt SWL/ 19 m	
	70 mt SWL/33 m	

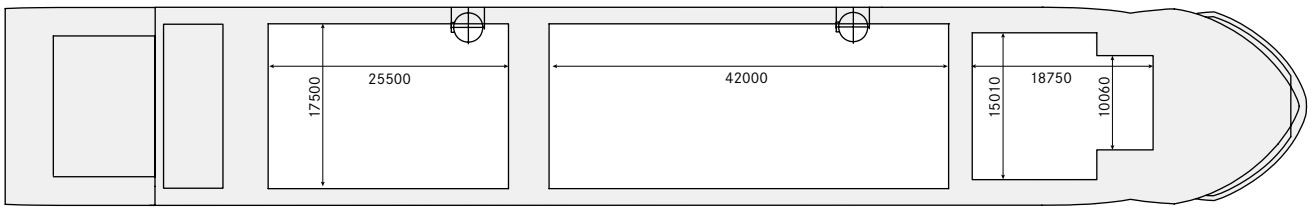


**2008** HUDSONGRACHT  
**2009** HEEMSKERKGRACHT  
 HEERENGRACHT  
 HOUTMANGRACHT  
 HUMBERGRACHT

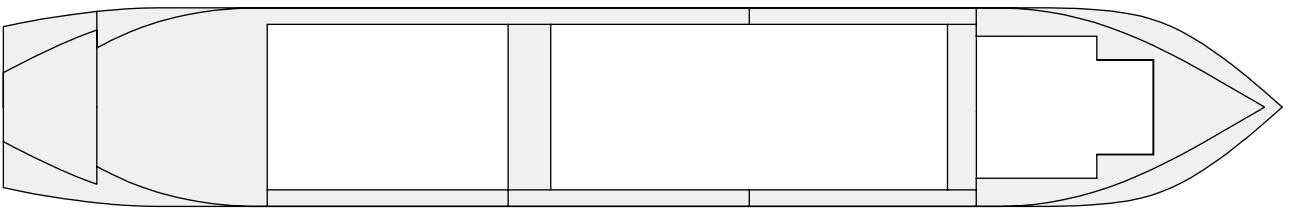
\* Hudsongracht / Humbergracht  
 \*\* Heemskerkgracht  
 \*\*\* Hudsongracht / Humbergracht /  
 Heerengracht / Houtmangracht



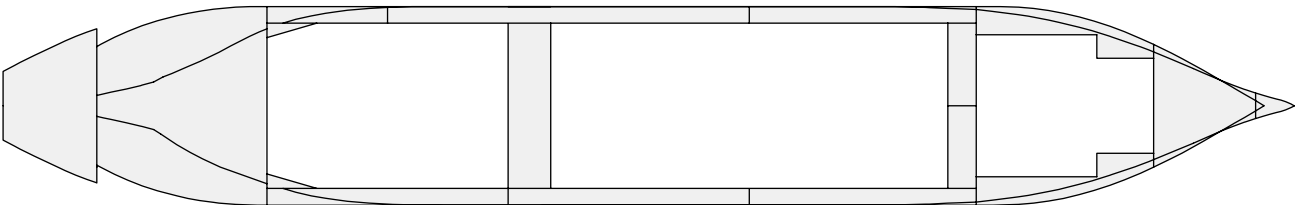
### WEATHER DECK



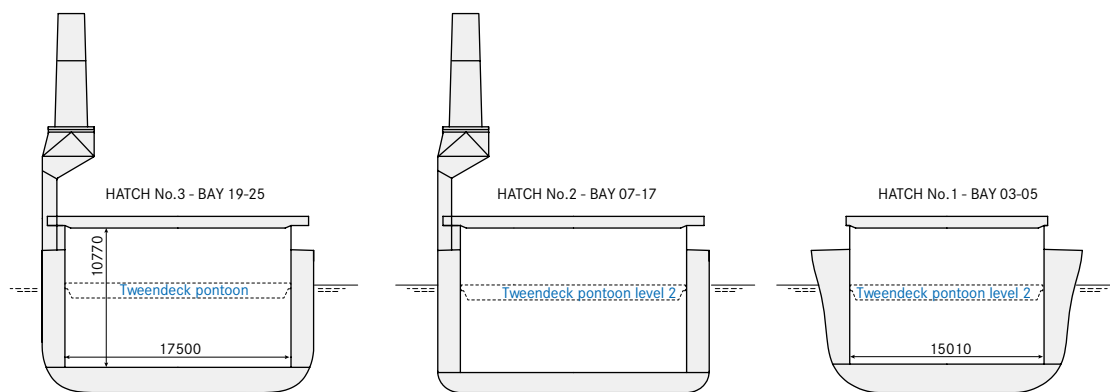
### TWEEN DECK



### TANK TOP



### CROSS SECTION



# H-TYPE

These particulars are believed to be correct, but without guarantee, and they must not be used as basis for Charter Parties or contracts without explicit written authority. For more information please contact [amsterdam@spliethoff.com](mailto:amsterdam@spliethoff.com)