

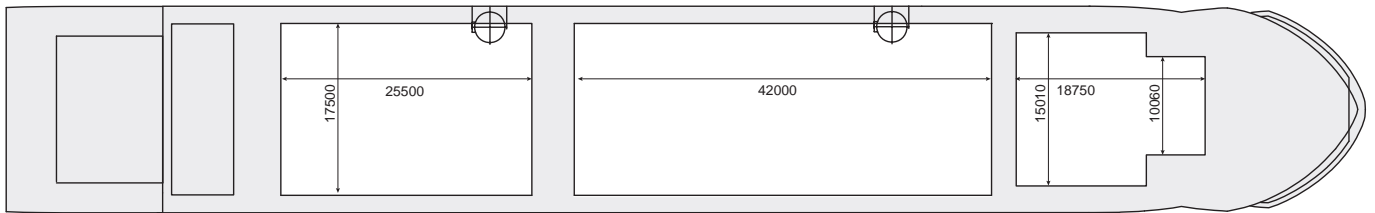
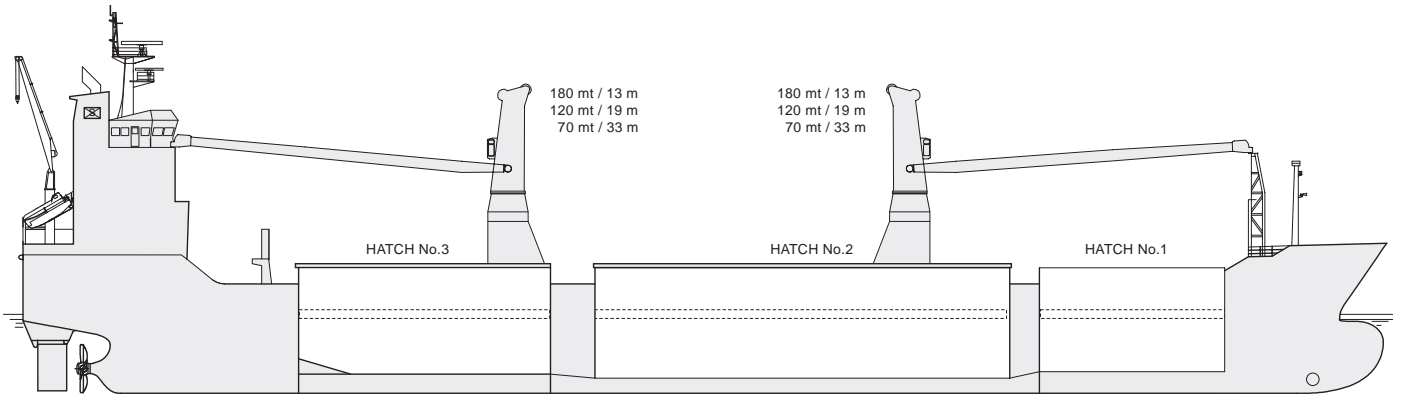
H-TYPE

CLASS			
Classification	Lloyd's Register 100 A1 (Great Lakes fitted)		
Ice-Class	Finnish/ Swedish 1A		
PRINCIPAL DIMENSIONS			
Length over all	138,07	m	
Breadth moulded	21,00	m	
Height hold as SID	Hold 1: 10,53	m	
	Hold 2: 11,18	m	
	Hold 3: 10,77	m	
Height lower hold as TWD	Hold 1: 5,43	m	
	Hold 2: 6,02	m	
	Hold 3: 5,61	m	
Height tween deck as TWD	Hold 1: 4,48	m	
	Hold 2: 4,38	m	
	Hold 3: 4,38	m	
Summer draft	8,00	m	
GT	9.611		
NT	4.260		
DEADWEIGHT all told	Abt. 12.744	mt	excl. TWD
CAPACITY			
Grain - bale	563.340	cbft	/15.952 m ³
FLOOR SPACE			
Tank top	1.425	m ²	
Tween deck	1.432	m ²	
Weather deck	1.531	m ²	/1.656 m ²
AIR CHANGES (basis empty holds)			
Hold 1	Abt. 6 x	p/h	
Hold 2 + 3	Abt. 12 x	p/h	
CONTAINER INTAKE			
Total	Abt. 665	TEU	
HATCHES			
Weather deck	Hold 1: 18,75 x 15,00	m	/ 10,06
	Hold 2: 42,00 x 17,50	m	
	Hold 3: 25,50 x 17,50	m	
	Steel, end folding/trailing pairs type		
Tween deck	Hold 1: 18,75 x 15,01	m	/ 10,06
	Hold 2: 42,00 x 17,50	m	
	Hold 3: 25,50 x 17,50	m	
	Consisting: 14 steel pontoons		
Bulkheads/compartments	Removable pontoons for up to 3 compartments at Hold 2		
MAXIMUM LOAD			
Weather deck hatch covers	1,75	t/m ²	payload
Tweendeck hatch covers	4,00/ 2,50	t/m ²	
Tank top	16,00	t/m ²	
DECK CRANES			
Position	2 x situated on port side		
Tons /reach	180 mt SWL/13 m		
	70 mt SWL/33 m		
	combinable up to 360 mt		



2009 Heemskerkgracht

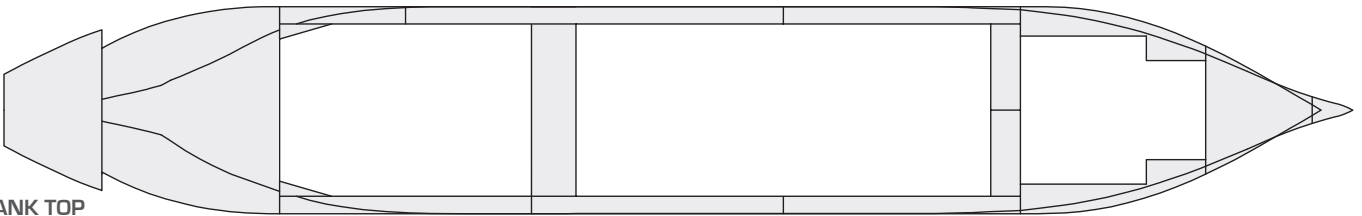
H-TYPE



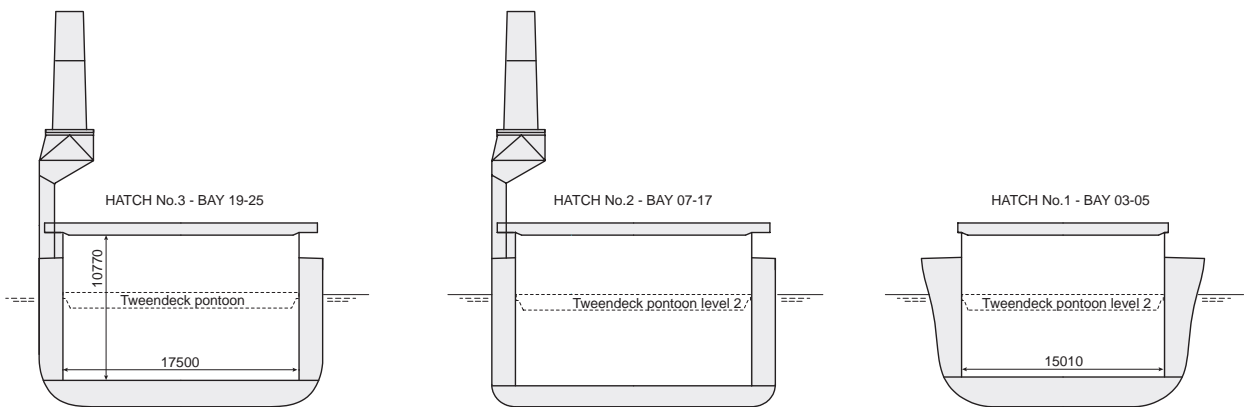
WEATHER DECK



TWEEN DECK



TANK TOP



CROSS SECTION

